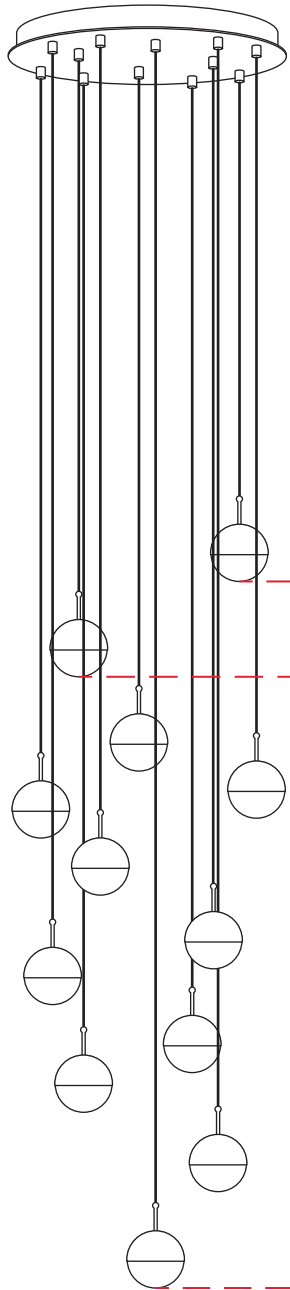


* Above hanging schematics is for reference only.
Some variance may occur due to individual settings and scenarios.
此配置圖僅供參考，燈具高度可依據實際場景調整。

* Above hanging schematics is for reference only.
Some variance may occur due to individual settings and scenarios.
此配置圖僅供參考，燈具高度可依據實際場景調整。



Dora P12 Straight Hang

Random Set-Up 錯落式

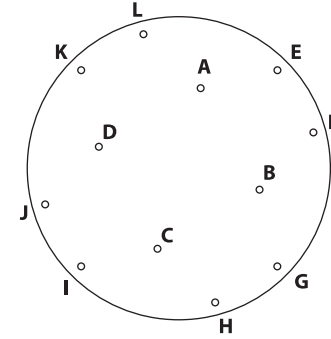
adjustable up to 300 (10')
標準線長 300cm

7-30
(4-12")

100-150
(40-60")

Canopy (Bottom View)

壁蓋出線位置 (仰視圖)



Long pendants hang around w/ central outlets (**A,B,C,D**)

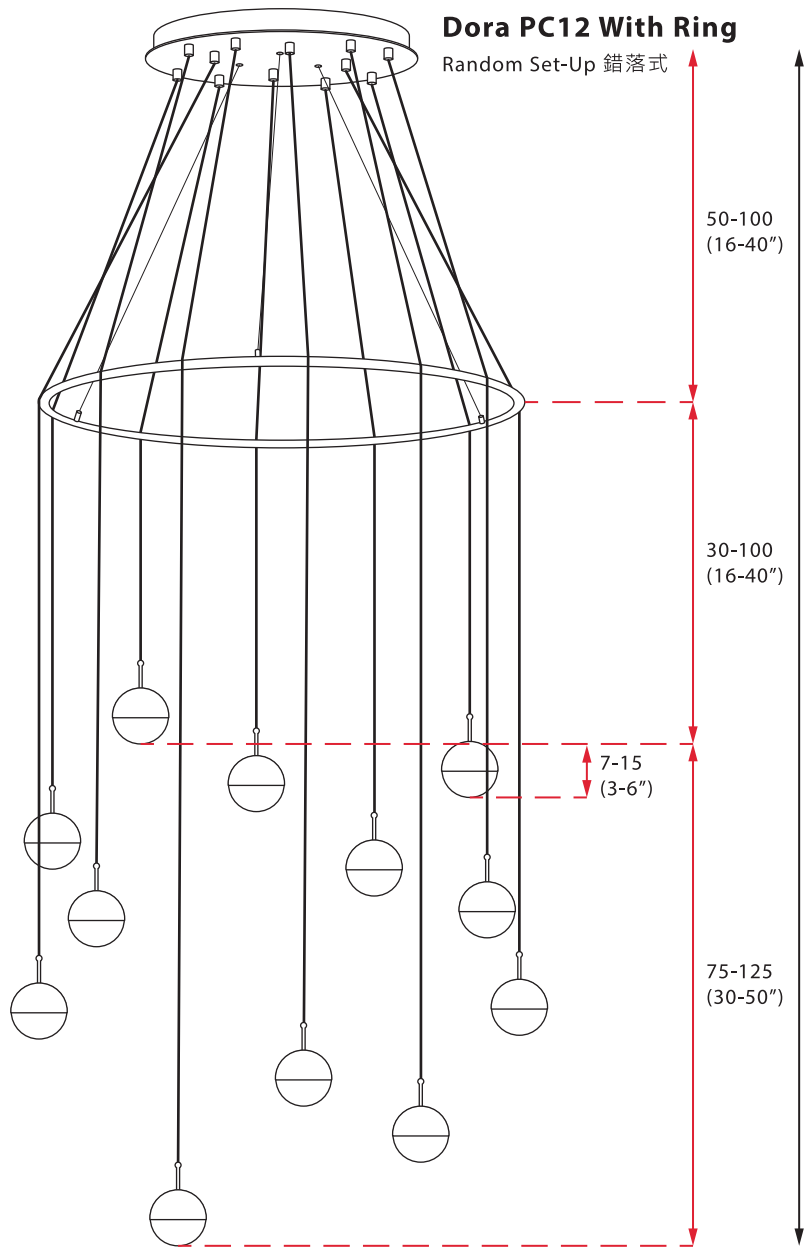
內緣出線孔**A,B,C,D**吊掛較長燈球。

Short pendants hang around w/ peripheral outlets (**E,F,G,H,I,J,K,L**)

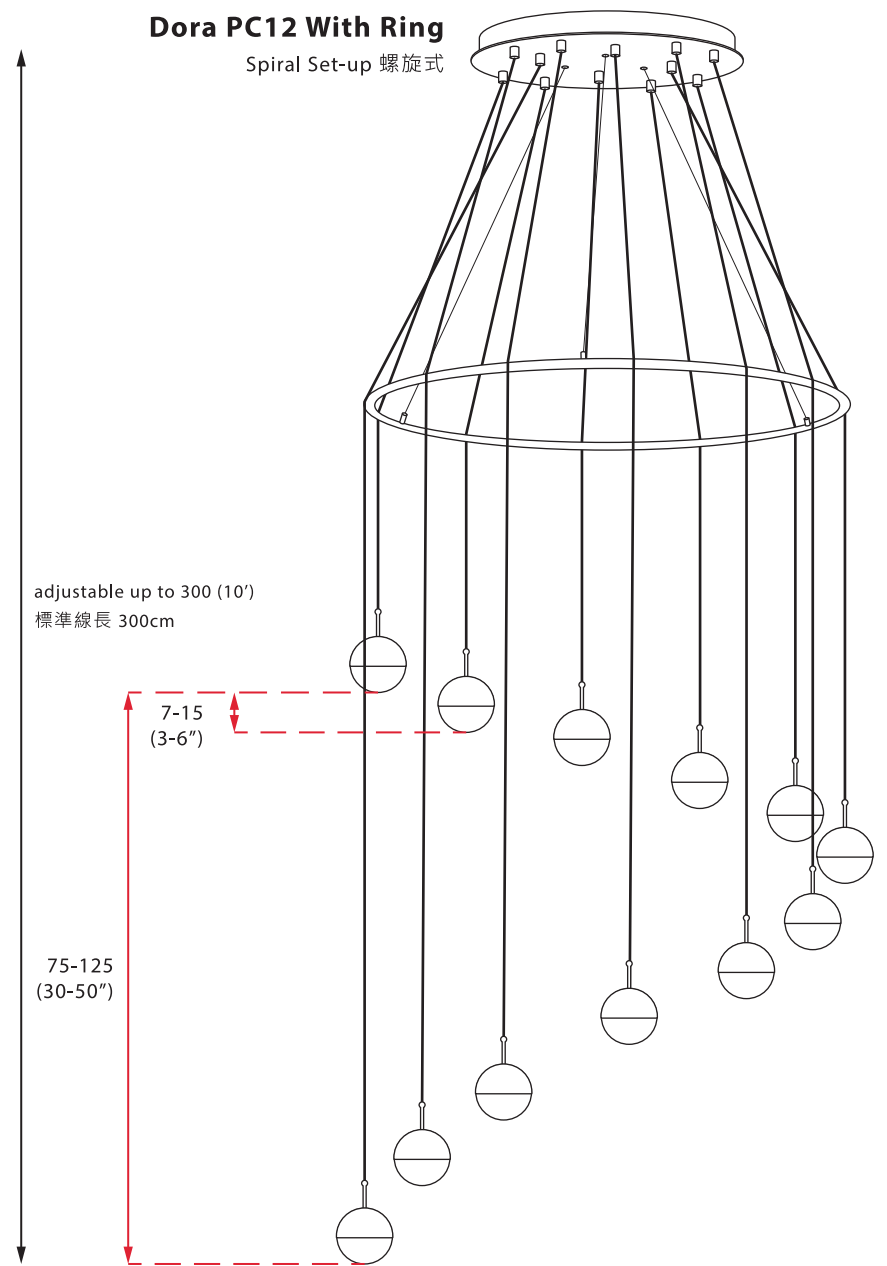
外圍出線孔**E,F,G,H,I,J,K,L**吊掛較短燈球。

* Above hanging schematics is for reference only.
Some variance may occur due to individual settings and scenarios.

此配置圖僅供參考，燈具高度可依據實際場景調整。



adjustable up to 300 (10')
標準線長 300cm



adjustable up to 300 (10')
標準線長 300cm

* Above hanging schematics is for reference only.
Some variance may occur due to individual settings and scenarios.
此配置圖僅供參考，燈具高度可依據實際場景調整。