



「環」一字以音義表「環」和「圓」。靈感取自東方庭園建築 - 月門 (Moon Gate)。新生代設計師 Rou 為宮廷古劇中的造景吸引，萌生以圓環框景留住美色的想法，也許是屋外英姿颯颯的百年梧桐，或是變化萬千的天外物色。HUAN 悄悄引光入室，與金屬框桿折射的光影相呼應，於屋中形成獨特的框景美學。

- 除了經典配色和新色可可棕 / 燕麥奶 + 銻外，Huan S 更以橄欖綠 + 流沙金 / 海軍藍 + 紅銅等多彩的配色，自然融入多元的居家空間。

Huan "I want to capture the scenery with the ring frame, just like Moon Gate did in the quaint garden." Designer Rou said cheerfully. Inspired from a unique, oriental, landscaping architecture_ Moon Gate, HUAN was created by the young designer Rou who was attracted by this poetic idea and applied it to her lighting design. HUAN simply brings us beautiful light and a great picture you expect as imagining.

* HUAN comes with 4 matching colors of olive green + sand gold/ navy blue + shiny copper/ pearl cocoa + chrome/ oatmeal + chrome, which is aesthetic and adorable to adapt to any interior space.

By Chang, Huan Rou 張幻柔



matt black + shiny copper



navy blue + shiny copper



matt pure white+ sand gold



olive green + sand gold

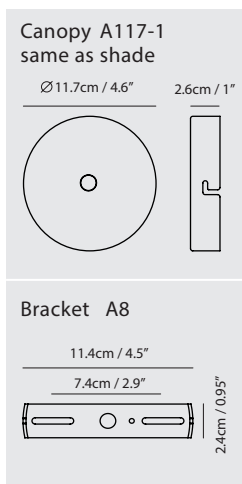
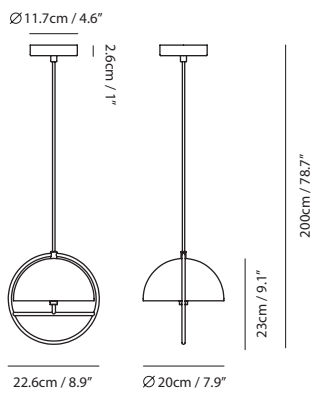


pearl cocoa + chrome



oatmeal + chrome

Measurement : centimeter / inches



Huan Pendant PS

Model
SG-226MP

Material
steel, glass

Light Source
G9 2 x 5W LED 2700K

Weight
1.5kg / 3.3lb

Color

-  matt black + shiny copper
-  navy blue + shiny copper
-  matt pure white+ sand gold
-  olive green + sand gold
-  pearl cocoa + chrome
-  oatmeal + chrome



matt black + shiny copper



matt pure white+ sand gold

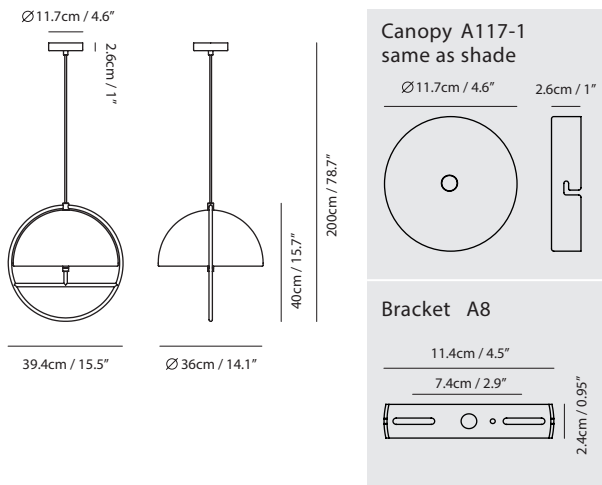


pearl cocoa + chrome



oatmeal + chrome

Measurement : centimeter / inches







Huan Pendant PL

Model
SQ-394MP

Material
steel, glass

Light Source
E27 2 x 8W LED 2700K

Weight
3.2kg / 7.1lb

- Color**
-  matt black + shiny copper
 -  matt pure white+ sand gold
 -  pearl cocoa + chrome
 -  oatmeal + chrome



園一字以音義表「環」和「圓」。靈感取自東方庭園建築－月門（Moon Gate）。新生代設計師 Rou 為宮廷古劇中的造景吸引，萌生以圓環框景留住美色的想法，也許是屋外英姿颯颯的百年梧桐，或是變化萬千的天外物色。HUAN 悄悄引光入室，與金屬框桿折射的光影相呼應，於屋中形成獨特的框景美學。

2021 新推出桌燈款，將框景之美移轉至桌前，成為眼前舉目可望的日常風景，與家中花卉器皿搭配擺飾，更能自成一景相映成趣。

Huan "I want to capture the scenery with the ring frame, just like Moon Gate did in the quaint garden." Designer Rou said cheerfully. Inspired from a unique, oriental, landscaping architecture_ Moon Gate, HUAN was created by the young designer Rou who was attracted by this poetic idea and applied it to her lighting design. HUAN simply brings us beautiful light and a great picture you would imagine.

The table lamp is now also available for a variety of settings.

By Chang, Huan Rou 張幻柔

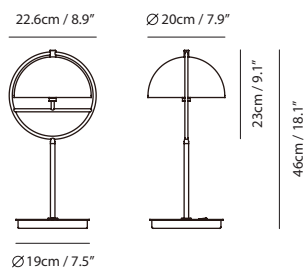


olive green + sand gold



matt pure white + sand gold

Measurement : centimeter / inches



Huan Table



Model
SG-226MD

Material
steel, glass

Light Source
G9 2 x 5W LED 2700K

Weight
2.1kg / 4.6lb

Color

-  olive green + sand gold
-  matt pure white+ sand gold