



在不羈張狂的硬派外表下，兀鷲的黑羽包覆著出乎意料的良善與柔軟，牠是解放靈魂的純淨聖鳥，也是大自然孤傲的清道夫，默默守護著大地正義。設計師 Meiric 將環境思辨嫁接於極簡設計上；將對稀珍物種的不捨與戀慕注入 Vulture 翩然優雅的身影中。結合鳥喙意味的玻璃燈罩、斂足收羽時的拱背弧線，桌燈精巧的「圓盤旋轉結構」，流暢調整俯視、直觀與仰望位置的同時，意圖藉由不同目光和切角翻轉普世刻板印象。（手工口吹玻璃 | 白玉：象徵大地的純粹無暇 / 透綠：象徵綠意的重生滋長）雙吊燈「特殊傘狀結構」，以拉伸的變形開合方式，配合不同桌長與空間延展跨距與光照；四燈款延續「經典十字桿」凝聚家族情感的用光精神，拱形線條更顯盈滿雅致、別有一番現代風情。兩款吊燈異曲同工，滿足照射範圍、量體美感上的需求。

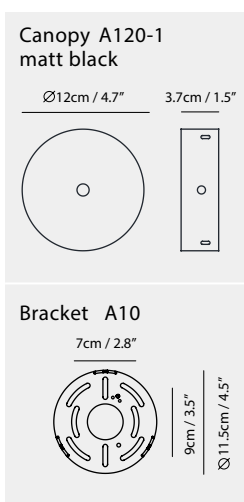
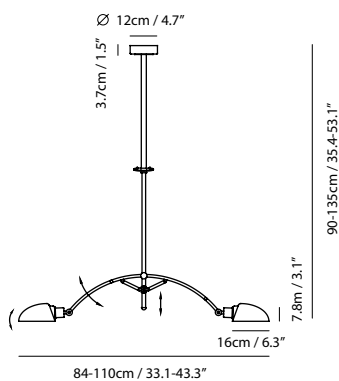
Designer Meiric always cherishes and adores endangered species of the world, especially birds. Vulture was one of a kind that inspired him to infuse the spirit in his masterpiece. With a different perspective, he discovered the immanence of its purity and goodwill toward the earth. Integrating the beak-like glass lampshade and the arch-body standing with feather closed, it cleverly embedded the "Disc structure" of the table lamp, hopefully reversing the stereotypes while rotating. (*Mouth-blown glass in limited color: Jade Green.)

By Chen, Chao Cheng 陳昭成



matt opal + matt black

Measurement : centimeter / inches



Vulture Pendant PR2


Model
SQ-160PR2

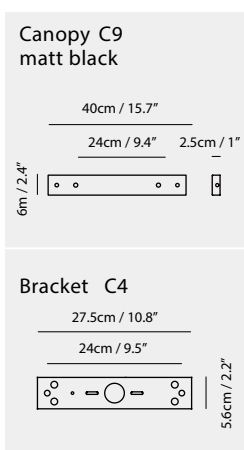
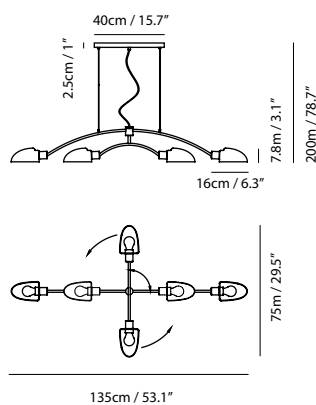
Material
mouth-blown glass, steel

Light Source
E27 2 x 8W LED 2700/3000K

Feature
Multi-adjustable

Weight
2.7kg / 6lb

Color
 matt opal + matt black



Vulture Pendant CTR4


Model
SQ-160CTR4

Material
mouth-blown glass, steel

Light Source
E27 4 x 8W LED 2700/3000K

Feature
Multi-adjustable

Weight
2.7kg / 6lb

Color
 matt opal + matt black